


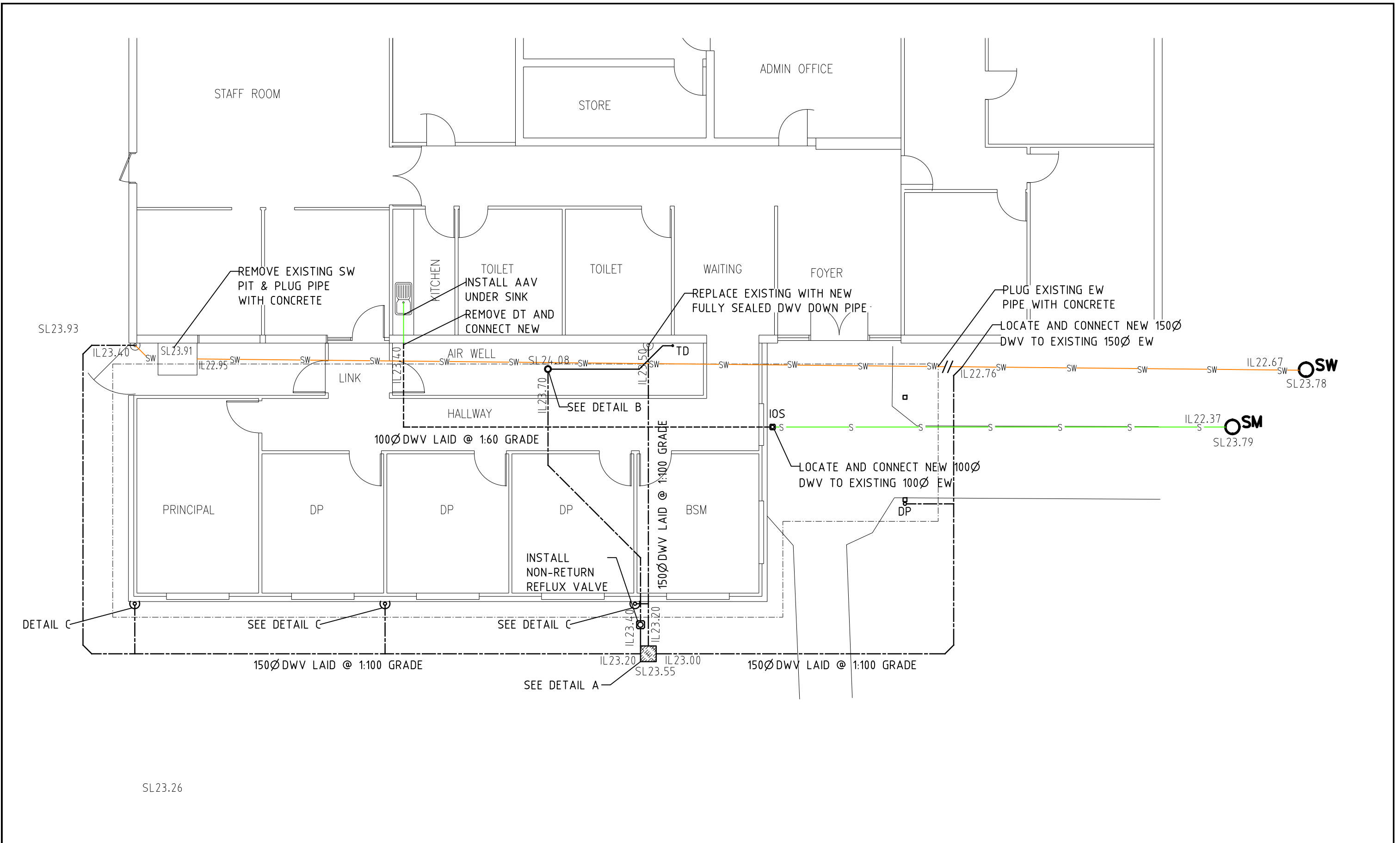
PROPOSED ALTERATIONS & ADDITIONS TO ADMINISTRATION BUILDING

AT ALDRIDGE STATE HIGH SCHOOL, BOYS AVENUE, MARYBOROUGH
FOR ALDRIDGE STATE HIGH SCHOOL

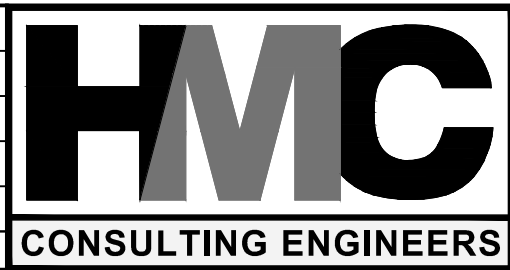
DESIGN	ASHLEY STACKMAN
DRAWN	ASHLEY STACKMAN
CHECKED	STEPHEN HEBBLEWHITE RPEQ 7374
DATE	NOVEMBER 2015
JOB No.	M16-510
PAGE	1 of 3

DRAWING INDEX	
M16-510: HYDRAULIC ENGINEERING	
H01	TITLE PAGE
H02	SANITARY DRAINAGE PLAN
H03	DETAILS & NOTES

				HOLMES McLEOD CONSULTING ENGINEERS PTY LTD <small>A.C.N 053 696 272</small> 328 ALICE STREET MARYBOROUGH QLD 4650 PH: 07 4121 4344 • FAX: 07 4123 3144 EMAIL: office@holmesmcleod.com.au 451 RAGLAN PDE, WARRNAMBOOL, VIC 3280 PH: 03 5562 9990 • MOB: 0427 214 347 EMAIL: vicoffice@holmesmcleod.com.au	DESIGN AS	DRAWN AS	PROJECT PROPOED ALTERATION & ADDITIONS TO ADMINISTRATION BUILDING, ALDRIDGE STATE HIGH SCHOOL, BOYS AVENUE, MARYBOROUGH	JOB No. M16-510
					CHECK SH	RPEQ 7374		SCALE 1:100
-	TENDER ISSUE	AS	29-11-16					
-	PRELIMINARY ISSUE	AS	16-11-16					
REV	DESCRIPTION	BY	DATE			DATE 16-11-16		



REV	DESCRIPTION	BY	DATE
-	TENDER ISSUE	AS	29-11-16
-	PRELIMINARY ISSUE	AS	16-11-16

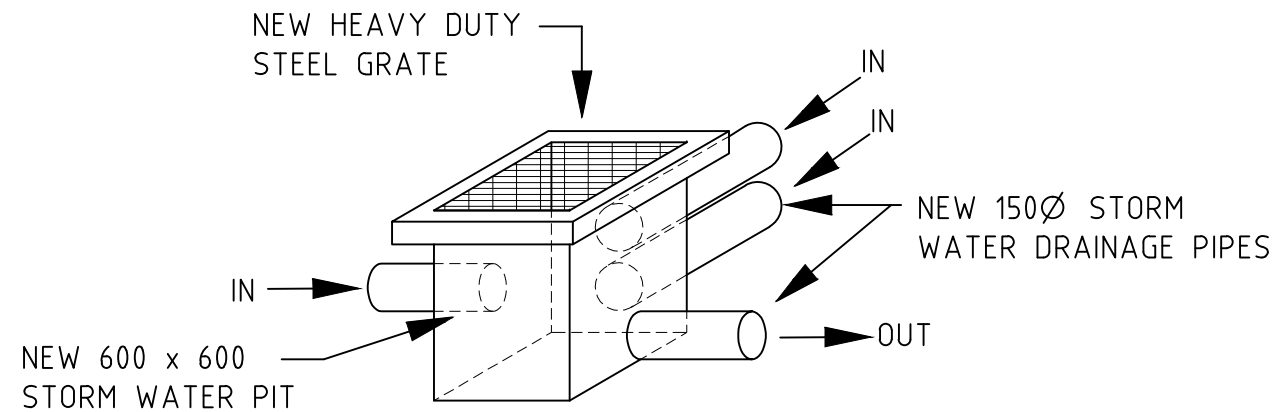


HOLMES McLEOD
 CONSULTING ENGINEERS PTY LTD
 A.C.N 053 696 272
 328 ALICE STREET MARYBOROUGH QLD 4650
 PH: 07 4121 4344 • FAX: 07 4123 3144
 EMAIL: office@holmesmcleod.com.au
 451 RAGLAN PDE, WARRNAMBOOL, VIC 3280
 PH: 03 5562 9990 • MOB: 0427 214 347
 EMAIL: vicoffice@holmesmcleod.com.au

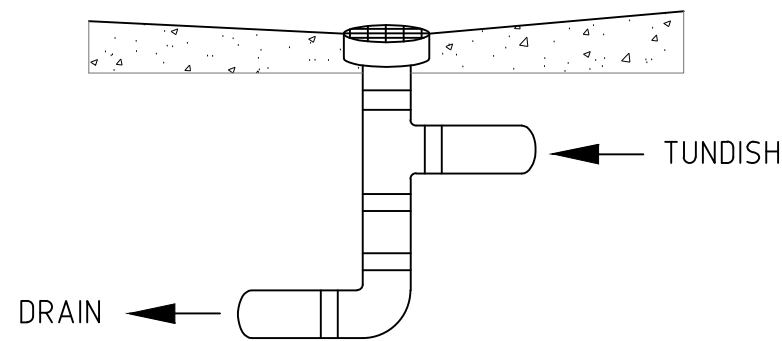
DESIGN	AS	DRAWN	AS
CHECK	SH	RPEQ	7374
SCALE	1:100	SIZE	A3
DATE	16-11-16		

PROJECT	PROPOED ALTERATION & ADDITIONS TO ADMINISTRATION BUILDING, ALDRIDGE STATE HIGH SCHOOL, BOYS AVENUE, MARYBOROUGH
TITLE	SANITARY & ROOF WATER DRAINAGE

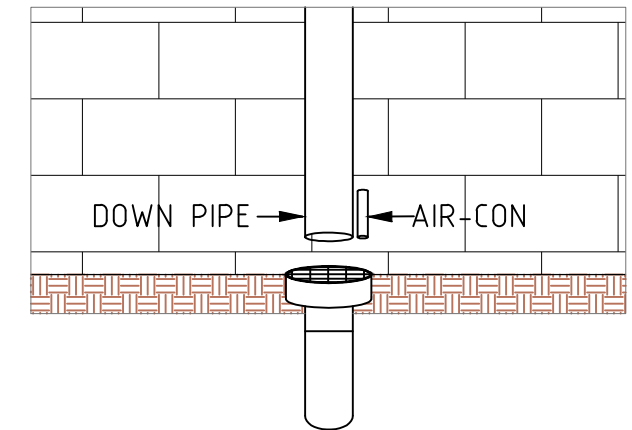
JOB No.	M16-510
DRAWING No.	H02



DETAIL A
STORM WATER PIT



DETAIL B
AIR WELL DRAIN



DETAIL C
DOWN PIPE & AIR CONDITIONING
CONDENSATE DRAIN

SANITARY DRAINAGE LEGEND

----- NEW SANITARY DRAINAGE
 -S-----S- EXISTING SANITARY DRAINAGE

SM DENOTES SEWER MANHOLE
 AAV DENOTES AIR ADMITTANCE VALVE
 EW EARTHENWARE
 IOS DENOTES INSPECTION OPENING TO SURFACE

ROOF WATER DRAINAGE LEGEND

----- NEW 150Ø STORM WATER
 -SW-----SW- EXISTING 150Ø STORM WATER

DP DENOTES DOWN PIPE.
 SW DENOTES STORM WATER MANHOLE.
 TD DENOTES TUNDISH.

ROOFWATER DESIGN:

- DOWNPIPES 100Ø
- STORM WATER DRAIN 150Ø
- GUTTER - 150mm WITH MINIMUM CROSS SECTIONAL AREA 9000mm²

SANITARY DRAINAGE NOTES

1. ALL WORK TO COMPLY WITH THE PLUMBING AND DRAINAGE ACT 2002, THE PLUMBING AND DRAINAGE REGULATION 2003 AND AS/NZS 3500.2:2003 "NATIONAL PLUMBING & DRAINAGE".
2. READ DRAWINGS IN CONJUNCTION WITH ARCHITECTURAL & STRUCTURAL SPECIFICATION (BY OTHERS).
3. DO NOT SCALE FROM THESE DRAWINGS, DRAWINGS ARE SCHEMATIC ONLY.
4. THE EXISTING SERVICES SHOWN HEREON MAY NOT BE ACCURATE. THE CONTRACTOR SHALL ALLOW TO LOCATE EXISTING SERVICES AS REQUIRED FOR CONNECTION.
5. TEST ALL PIPE WORK BEFORE COVERING.
6. SANITARY DRAIN TO BE UPVC LAID AT 1.65% GRADE ALLOWING 300mm COVER AT THE HIGHEST POINT.
7. INSTALL AIR ADMITTANCE VALVE UNDER SINK.
8. EXISTING DT TO BE REMOVED.
9. SWIVEL AND EXPANSION JOINTS WILL BE REQUIRED AS PER THE AS2870-2011.
10. ALL INSPECTION OPENINGS UNDER CONCRETE TO BE TAKEN TO SURFACE LEVEL WITH AN APPROVED CAP.

ROOFWATER DRAINAGE NOTES:

1. ALL DRAINAGE WORK SHALL COMPLY WITH AS/NZS 3500.3:2003 "NATIONAL PLUMBING AND DRAINAGE CODE - STORM WATER DRAINAGE".
2. PROVIDE GLUED AND SEALED JOINTS TO ALL PVC BENDS AND CONNECTIONS.
3. ROOFING MATERIALS ARE TO COMPLY WITH AS2179.1:1994 "METAL RAINWATER GOODS SPECIFICATIONS".
4. ALL WORKMANSHIP AND MATERIALS SHALL BE IN ACCORDANCE WITH APPLICABLE DESIGN CODES & LOCAL LAWS AND ORDINANCES OF THE LOCAL AUTHORITY AND THE WORK HEALTH AND SAFETY ACT 2011 REQUIREMENTS.
5. THE LAYOUT OF THE ROOF WATER DRAINAGE AND DOWNPIPE LOCATIONS IS SCHEMATIC ONLY AND IS TO BE ADJUSTED ON SITE TO SUIT OTHER SERVICES, BUILDING FOOTING CLEARANCES, WINDOWND DOORWAY LOCATIONS.
6. CONNECT NEW 150Ø DWV ROOF WATER DRAINAGE TO EXISTING 150Ø EW STORM WATER DRAINAGE.
7. SUPPLY AND INSTALL 150Ø NON-RETURN REFLUX VALVE IN AIR WELL DRAINAGE LINE.
8. SUPPLY AND INSTALL NEW DWV FULLY SEALED DOWN PIPE IN AIR WELL.

				HOLMES McLEOD CONSULTING ENGINEERS PTY LTD <small>A.C.N 053 696 272</small> 328 ALICE STREET MARYBOROUGH QLD 4650 PH: 07 4121 4344 • FAX: 07 4123 3144 EMAIL: office@holmesmcleod.com.au 451 RAGLAN PDE, WARRNAMBOOL, VIC 3280 PH: 03 5562 9990 • MOB: 0427 214 347 EMAIL: vicoffice@holmesmcleod.com.au	DESIGN AS	DRAWN AS	PROJECT PROPOED ALTERATION & ADDITIONS TO ADMINISTRATION BUILDING, ALDRIDGE STATE HIGH SCHOOL, BOYS AVENUE, MARYBOROUGH	JOB No. M16-510
					CHECK SH	RPEQ 7374		TITLE DETAILS & GENERAL NOTES
		SCALE -	SIZE A3	DATE 16-11-16				
REV	DESCRIPTION	BY	DATE					
-	TENDER ISSUE	AS	29-11-16					
-	PRELIMINARY ISSUE	AS	16-11-16					